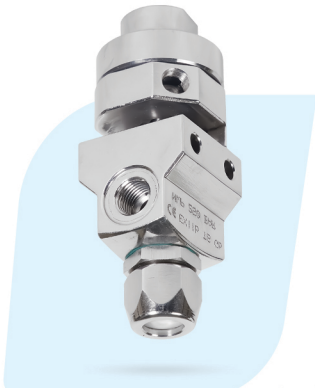
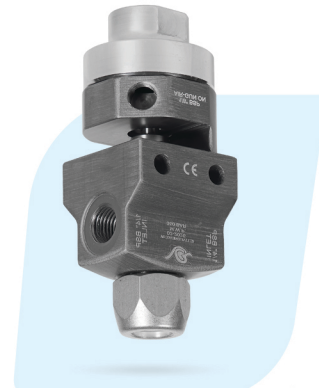


AUTOMATIC SPRAY PAINTING GUN



AUTOMATIC AIRLESS SPRAY GUN (VRIA) STAINLESS STEEL

Maximum working pressure	450 bars
Switching air inlet pressure	Minimum 4 bar (Spring return)
Inlet/Circulation ports	1/4" BSP (F)
Tip connection	M18 X 1 (M)
Wetted parts	304 Stainless steel, Tungsten Carbide seat, PTFE



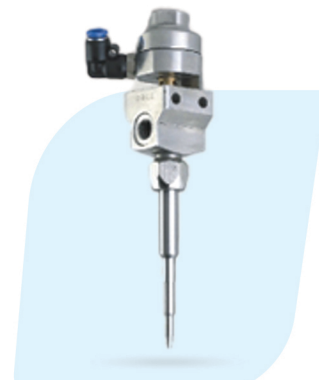
AUTOMATIC AIRLESS SPRAY GUN (VRIA) ALUMINIUM

Maximum working pressure	250 bars
Switching air inlet pressure	Minimum 4 bar (Spring return)
Inlet/Circulation ports	1/4" BSP (F)
Tip connection	M18 X 1 (M)
Wetted parts	Aluminium, Tungsten Carbide seat, PTFE



AUTOMATIC AIRLESS SPRAY GUN (400B) ALUMINIUM

Maximum working pressure	400 bars
Switching air inlet pressure	Minimum 2 bar
Inlet/Circulation ports	1/8" BSP
Tip connection	11/16 - UNF
Wetted parts	Aluminium, Tungsten Carbide seat, PTFE



AUTOMATIC DISPENSING GUN VRIAD (STAINLESS STEEL)

Maximum working pressure	350 bars
Switching air inlet pressure	Minimum 4 bar (Spring return)
Inlet/Circulation ports	1/4" BSP (F)
Tip connection	M18 X 1.5 (M)
Wetted parts	304 Stainless steel, Tungsten Carbide seat, PTFE

*more pressure on request



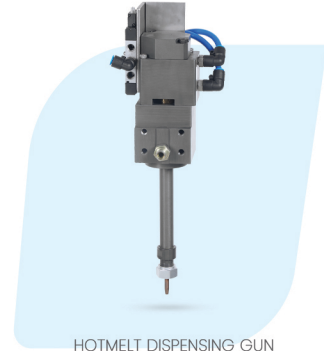
AUTOMATIC SPRAY PAINTING GUNS



AUTOMATIC DISPENSING GUN VRIAD (ALUMINIUM)

Maximum working pressure	200 bars
Switching air inlet pressure	Minimum 4 bar (Spring return)
Inlet/Circulation ports	¼" BSP (F)
Tip connection	M18 X 1.5 (M)
Wetted parts	Aluminium, Tungsten Carbide valve, PTFE

*more pressure on request



HOTMELT DISPENSING GUN

Maximum working pressure	200 bars
Switching air inlet pressure	Minimum 4 bar (Spring return)
Inlet/Circulation ports	¼" BSP (F)
Tip connection	M18 X 1.5 (M)
Wetted parts	Aluminium, Tungsten Carbide needle, PTFE

*more pressure on request



AUTOMATIC AIR ASSISTED AIRLESS SPRAY GUN (FLAMINGO)

Maximum working pressure	250 bars
Inlet ports	¼" BSP (M)
Switching air inlet pressure	Minimum 4 bar
Wetted parts	304 Stainless steel, Tungsten Carbide seat, PTFE

